

## TAB TENSION SCREEN - JAMPO

# ADVANTAGE FRIENDLY FEATURES



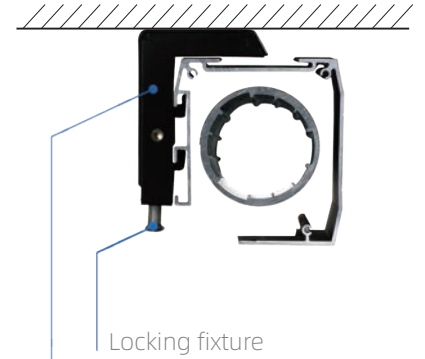
**Silent tublar motor**  
Adpots a slient tublar motor certified by UL, 3C. Stabe and safe operation.



**Flatness**  
Rollable and Tensioned design, stretch the fabric from four sides and reach 2.5Kg/m<sup>2</sup> for the bottom roller. Each side is adjustable to reach your desired flatness which make sure the image perfectly compared with regular electric screen which.

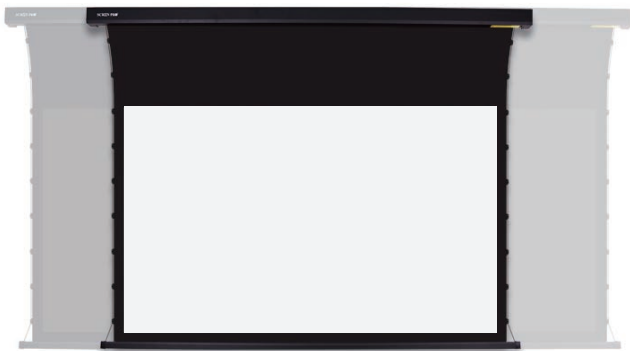


**Wireless 868MHz Control System**  
Connection Port Function:  
1. RS 485/RS 232  
2. DC AMX  
3. Wired trigger  
4. Voltage AC 90V-240V



**Ceiling Recessed Mount**  
Independently hanging bracket, can be adjusted left and right, after adjusting the best position, lock it. Safe and quick installation

Can be translated left and right, after adjusting the best position, lock it.



868MHz IR control both



Sny-Trigger, screen turn on/off at the same time with projector (Sold separately)

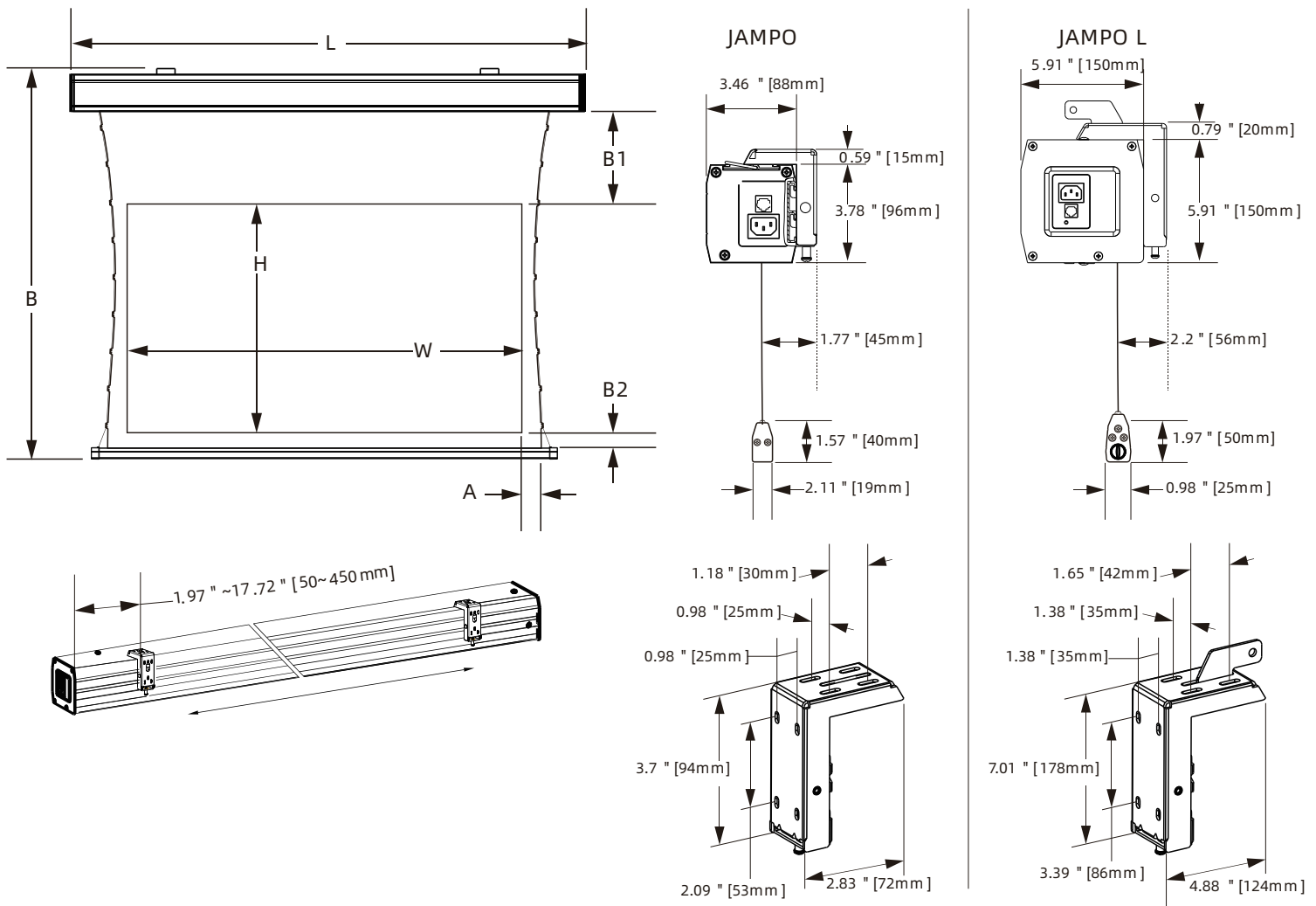
**CASE COLOUR:**  white  black

# Tab Tension Screen - Jampo SIZE »

\*Unit:mm

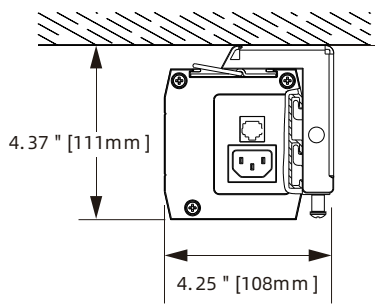
FORMAT	DIAG.SIZE	VIEWING AREA	BLACK BORDER			SCREEN OVERALL LENGTH	SCREEN OVERALL HEIGHT	PACKAGE DIMENSIONS	APPROX. WEIGHT		NOTE	
		(WxH)	Top(B1)	Bottom(B2)	L/R(A)	L	B	W1xH1xL1	Kg	Lbs		
16:9	92"	2032x1143	400	50	60	2496	1744	170x220x2579	21.08	46.47	Jampo	
	100"	2214x1245	400	50	60	2678	1846	170x220x2761	22.30	49.16		
	106"	2347x1320	400	50	60	2811	1921	170x220x2894	23.09	50.90		
	110"	2435x1370	400	50	60	2899	1971	170x220x2982	23.60	52.03		
	120"	2657x1495	400	50	60	3121	2096	170x220x3204	25.00	55.12		
	L=W+464mm L1=W+547mm V=0.0374x(W+547/1000)m <sup>3</sup>											
	133"	2944x1656	400	50	60	3431	2326	235x235x3751	42.17	92.97	Jampo L	
	L=W+487mm L1=W+807mm V=0.055x(W+807/1000)m <sup>3</sup>											
	150"	3320x1868	400	50	60	3857	2538	235x235x4177	46.10	101.63		
	160"	3542x1992	400	50	60	4079	2662	235x235x4399	48.40	106.70		
	180"	3984x2241	400	50	60	4521	2911	235x235x4841	53.00	116.84		
	L=W+537mm L1=W+857mm V=0.055x(W+857/1000)m <sup>3</sup>											
200"	4427x2490	400	50	60	4982	3160	235x235x5302	76.00	167.55			
220"	4870x2739	400	50	60	5425	3409	235x235x5745	80.61	177.71			
L=W+555mm L1=W+875mm V=0.055x(W+875/1000)m <sup>3</sup>												
16:10	92"	1982x1239	400	50	60	2446	1840	170x220x2529	19.90	43.87	Jampo	
	100"	2154x1346	400	50	60	2618	1947	170x220x2701	21.75	47.95		
	106"	2283x1427	400	50	60	2747	2028	170x220x2830	22.70	50.04		
	110"	2370x1480	400	50	60	2834	2081	170x220x2917	23.40	51.59		
	120"	2585x1616	400	50	60	3049	2217	170x220x3132	25.00	55.12		
	L=W+464mm L1=W+547mm V=0.0374x(W+547/1000)m <sup>3</sup>											
	133"	2865x1790	400	50	60	3352	2460	235x235x3672	41.45	91.38	Jampo L	
	L=W+487mm L1=W+807mm V=0.055x(W+807/1000)m <sup>3</sup>											
	150"	3231x2019	400	50	60	3768	2689	235x235x4088	45.37	100.02		
	160"	3446x2154	400	50	60	3983	2824	235x235x4303	47.68	105.12		
	180"	3877x2423	400	50	60	4414	3093	235x235x4734	52.30	115.30		
	L=W+537mm L1=W+857mm V=0.055x(W+857/1000)m <sup>3</sup>											
200"	4308x2692	400	50	60	4863	3362	235x235x5183	75.15	165.68			
220"	4739x2962	400	50	60	5294	3632	235x235x5614	79.76	175.84			
L=W+555mm L1=W+875mm V=0.055x(W+875/1000)m <sup>3</sup>												
4:3	100"	2032x1524	400	50	60	2496	2125	170x220x2579	21.77	47.99	Jampo	
	120"	2438x1829	400	50	60	2902	2430	170x220x2985	26.40	58.20		
	L=W+464mm L1=W+547mm V=0.0374x(W+547/1000)m <sup>3</sup>											
	150"	3048x2286	400	50	60	3585	2956	235x235x3905	43.70	96.34	Jampo L	
	180"	3658x2743	400	50	60	4195	3413	235x235x4515	50.60	111.55		
	L=W+537mm L1=W+857mm V=0.055x(W+857/1000)m <sup>3</sup>											
	200"	4064x3048	400	50	60	4619	3718	235x235x4939	73.36	161.73		
	250"	5080x3810	400	50	60	5635	4480	235x235x5955	84.90	187.17		
	L=W+555mm L1=W+875mm V=0.055x(W+875/1000)m <sup>3</sup>											
	96"	2244x955	600	50	60	2708	1756	170x220x2791	22.32	49.21	Jampo	
	100"	2337x995	600	50	60	2801	1796	170x220x2884	23.23	51.21		
	106"	2478x1054	600	50	60	2942	1855	170x220x3025	24.58	54.19		
L=W+464mm L1=W+547mm V=0.0374x(W+547/1000)m <sup>3</sup>												
2.35:1	119"	2781x1183	600	50	60	3268	2053	235x235x3588	41.75	92.04	Jampo L	
	126"	2945x1253	600	50	60	3432	2123	235x235x3752	43.36	95.59		
	133"	3109x1322	600	50	60	3596	2192	235x235x3916	45.00	99.21		
	L=W+487mm L1=W+807mm V=0.055x(W+807/1000)m <sup>3</sup>											
	150"	3506x1492	600	50	60	4043	2362	235x235x4363	48.90	107.81	Jampo L	
	159"	3716x1581	600	50	60	4253	2451	235x235x4573	67.90	149.69		
	180"	4207x1790	600	50	60	4744	2660	235x235x5064	72.75	160.39		
	L=W+537mm L1=W+857mm V=0.055x(W+857/1000)m <sup>3</sup>											
L=W+537mm L1=W+857mm V=0.055x(W+857/1000)m <sup>3</sup>												

# Dimension Chart >>

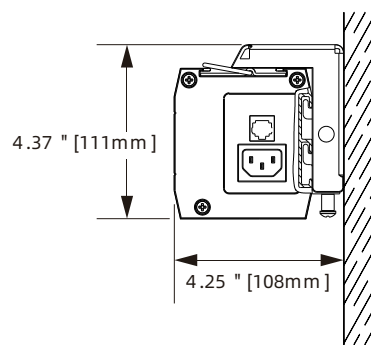


## Installation

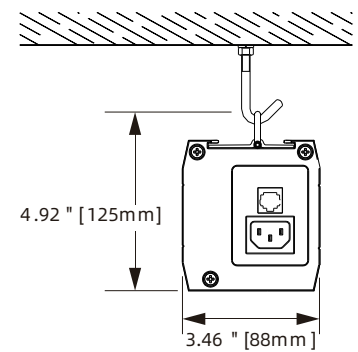
### JAMPO



Ceiling mount

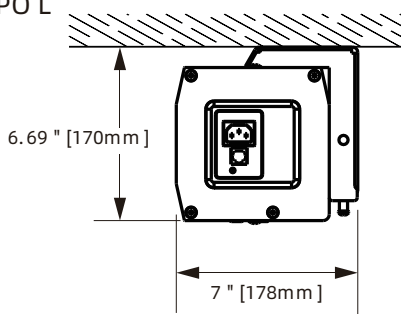


Wall mount

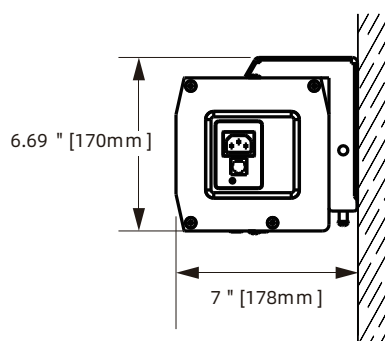


Hoisting

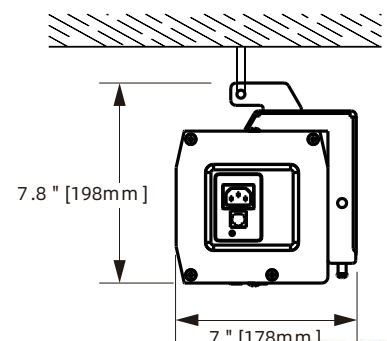
### JAMPO L



Ceiling mount



Wall mount



Hoisting

# *Liberty* SCREEN PRO®



1-20-248, 2nd Floor, (Snowcem Paints Lane),  
Rasoolpura, Secunderabad-500 003, India.  
Tel : +91(0)40-67222555  
Fax : +91(0)40-67222500 / 67222549  
Mobile : +91(0)99590 24099 / 99082 44099  
CIN : U32304AP2007PTC056103  
E-mail : sales@av-visionindia.co.in  
Toll Free (BSNL) : 1800 425 2936  
[www.av-visionindia.co.in](http://www.av-visionindia.co.in)

**Sams AV-Tech (ShenZhen)Co., Ltd.**  
WEB: [www.samsav.com](http://www.samsav.com)