

Liberty **SCREEN MAX**

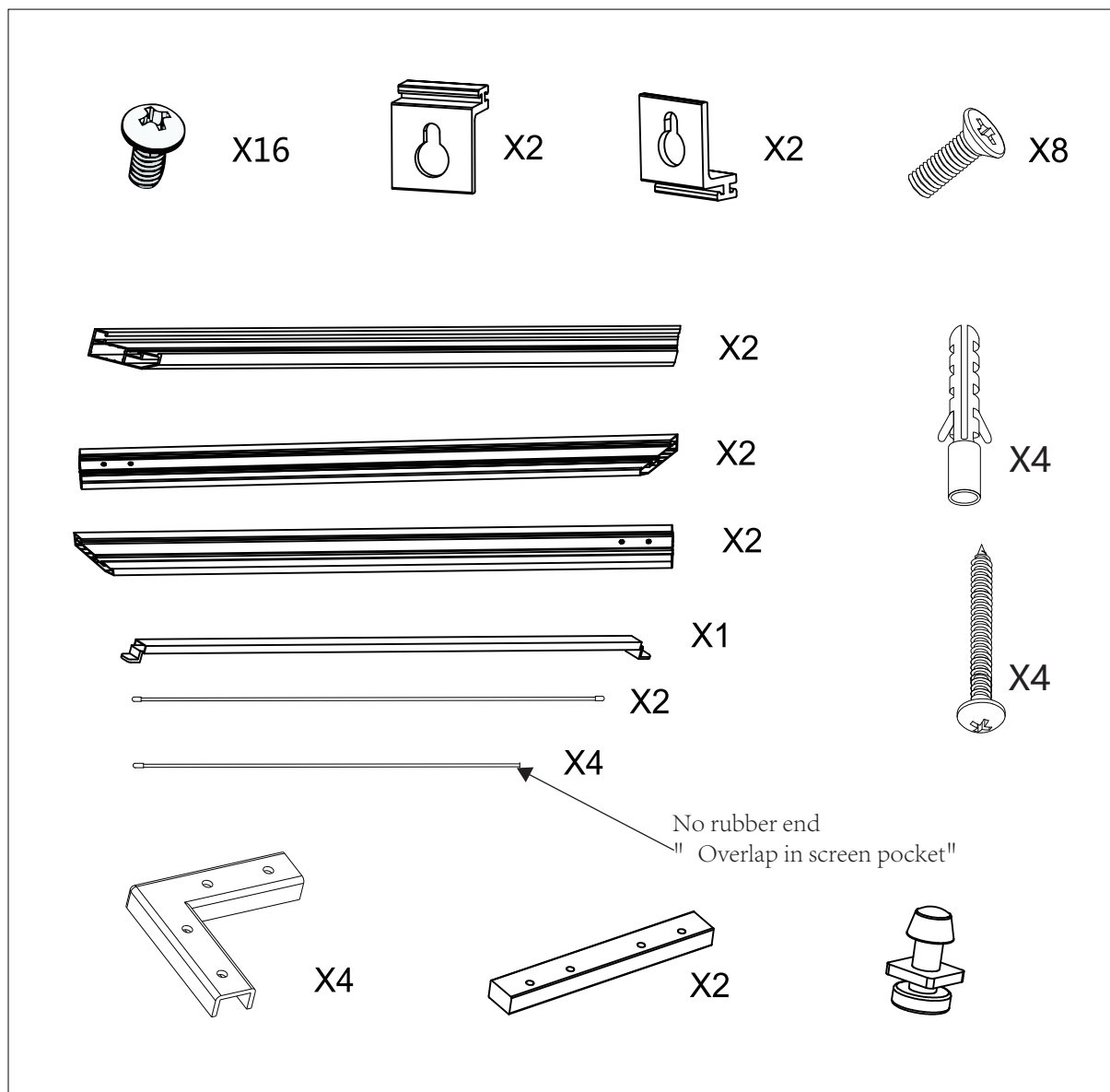
MOUNTING INSTRUCTIONS FOR

6cm Fixed Frame

Projection Screen

Part may vary depending on model

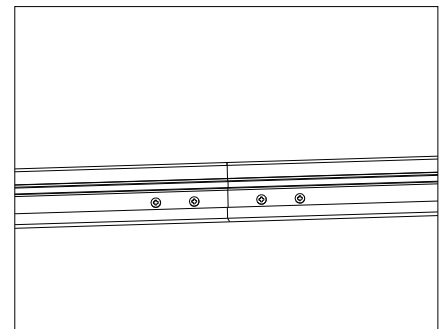
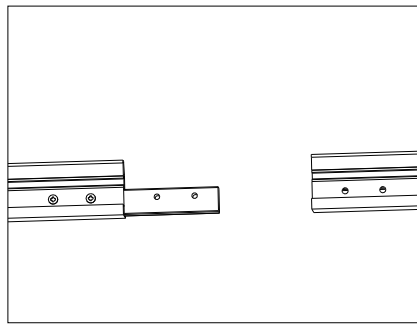
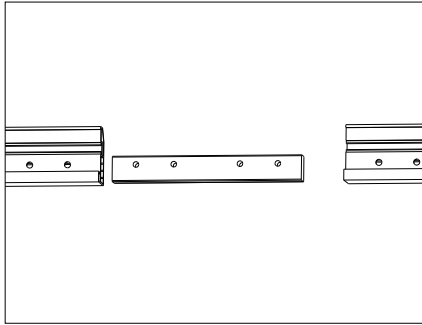
Parts List



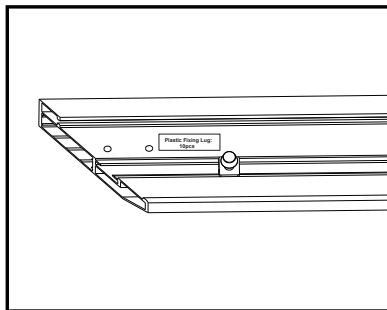
*****Depending on your fixed screen model-the quantities of the plastic fixing lugs may differ, please see stickers on each frame rail for the required quantities.*****

Assembly

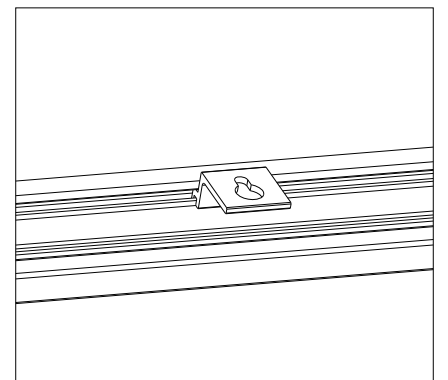
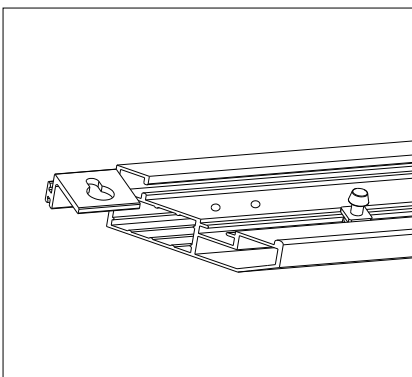
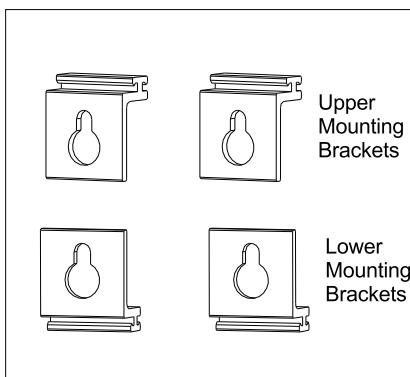
1. Unpack all the parts from the box. Do not unroll the screen at this time.
2. Make sure your assembly area is clean. At least two feet of clean space is required on all four sides of the screen when it is spread out.
3. Lay out the frame rails with the velvet side facing down.
4. Assemble both of the large frame rails by sliding the joint bars into the ends. Secure them with the joint screws.



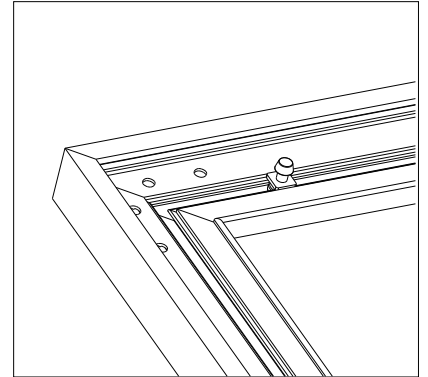
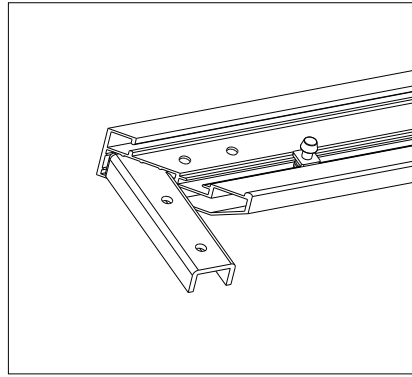
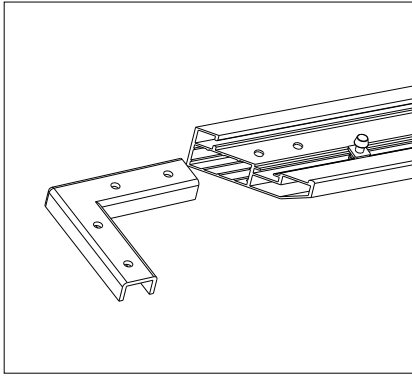
5. Slide plastic snap lugs into the frame rails, see stickers on each frame rail for the required quantities.



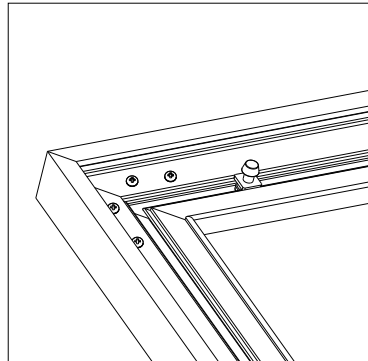
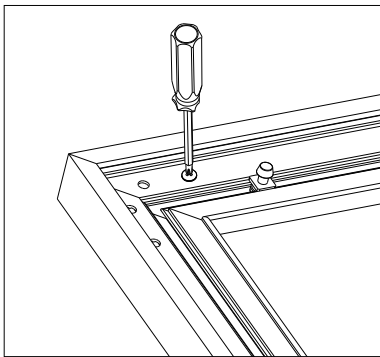
6. Slide the mounting brackets into place. There will be four mounting brackets. Two go on the top rail and two go on the bottom rail.



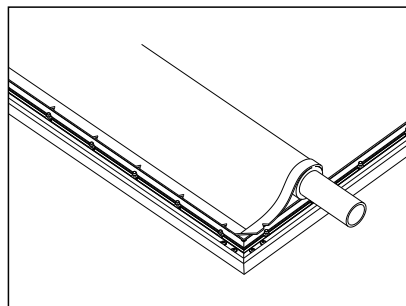
7. Slide the metal corner pieces into the ends of the long frame rails. Now put all frame pieces together forming the assembled frame.



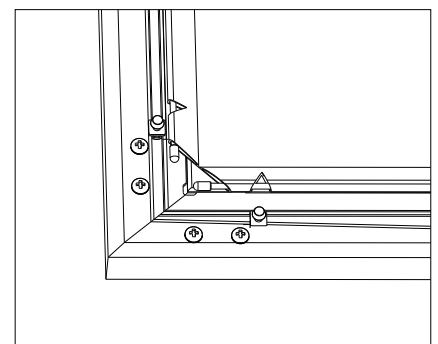
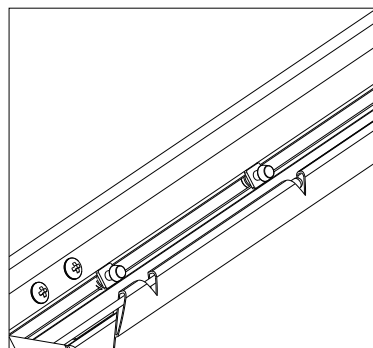
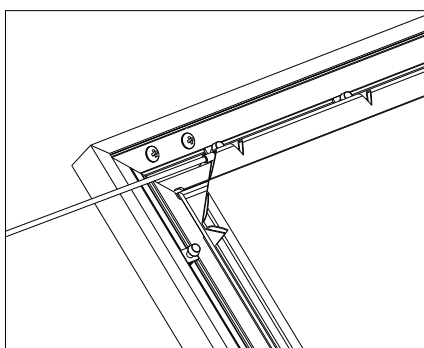
8. Screw in 4 corner screws into each corner of the frame, but do not tighten until all corners have been accurately aligned. Once all corners are accurately aligned tighten the screws.

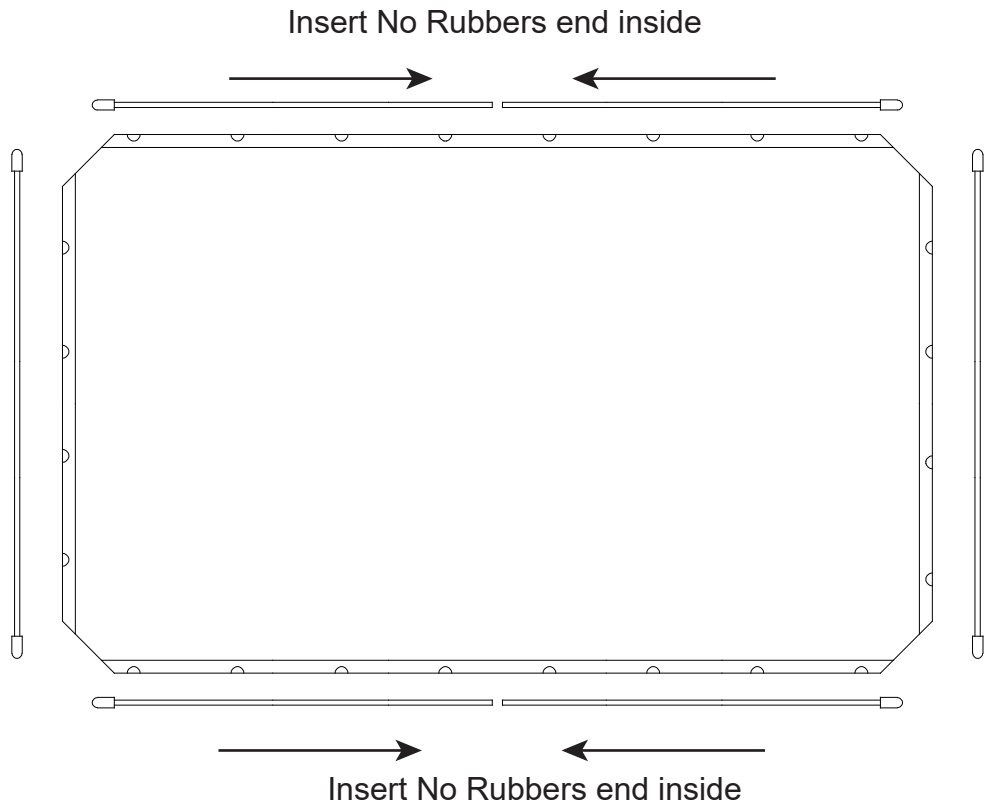


9. Make sure the floor is clean. Unroll the screen material inside the assembled frame on the floor. Keep the viewing side facing down.



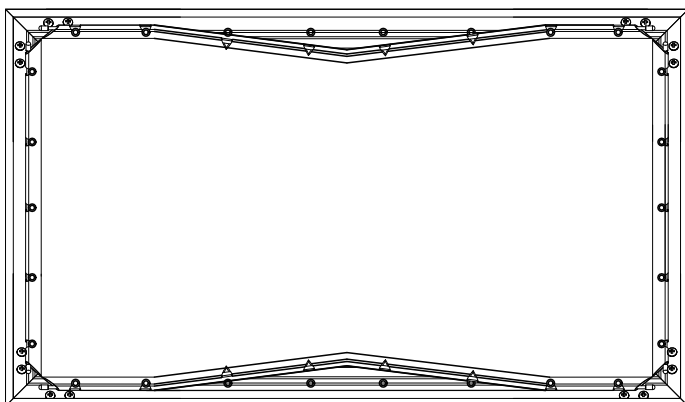
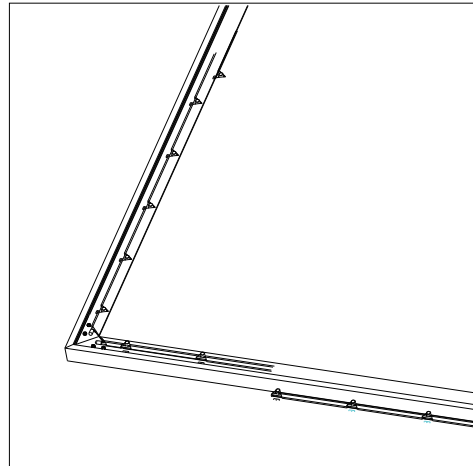
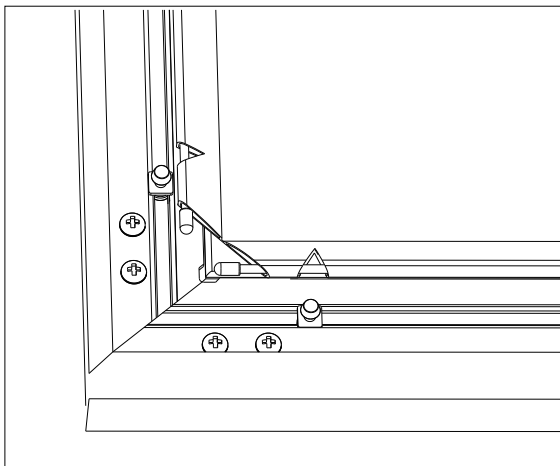
10. Insert the rod into the pockets on the edges of the screen, using the appropriate rods for each side. (Note: One side of the 4 short rods will not have rubber end.)



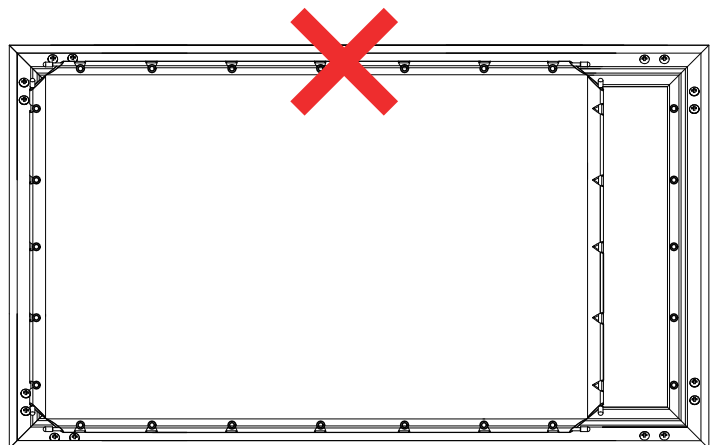


11. Place the screen material onto the frame while the frame's bare metal is facing up. Starting at the corners, stretch the material over the snap lugs, at least two snap lugs at each corner. Once at least two lugs are secured at all four corners, work your way around the perimeter of the frame until the material is completely tensioned.

Note: -The material may be up to 7" shorter than the frame itself.
 -Each notch in the material should line up with one snap lug on the frame.
 -The material will stretch with much effort to form a flat surface.

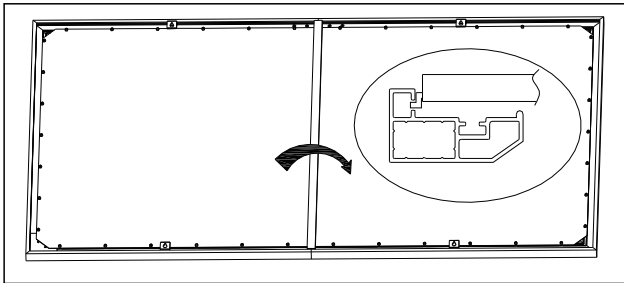
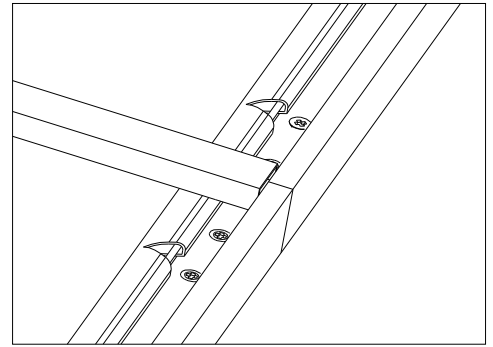
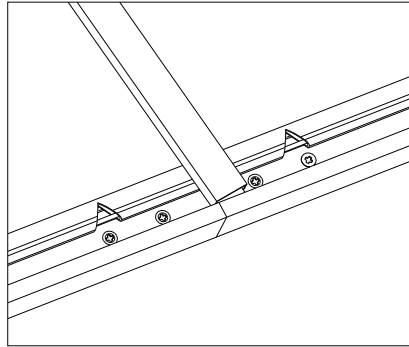
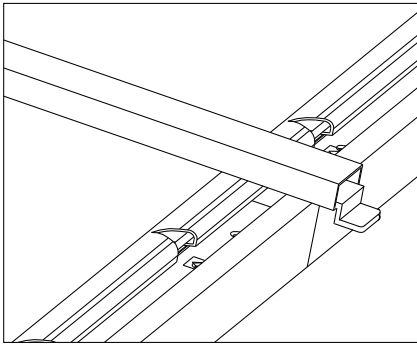


RIGHT



WRONG

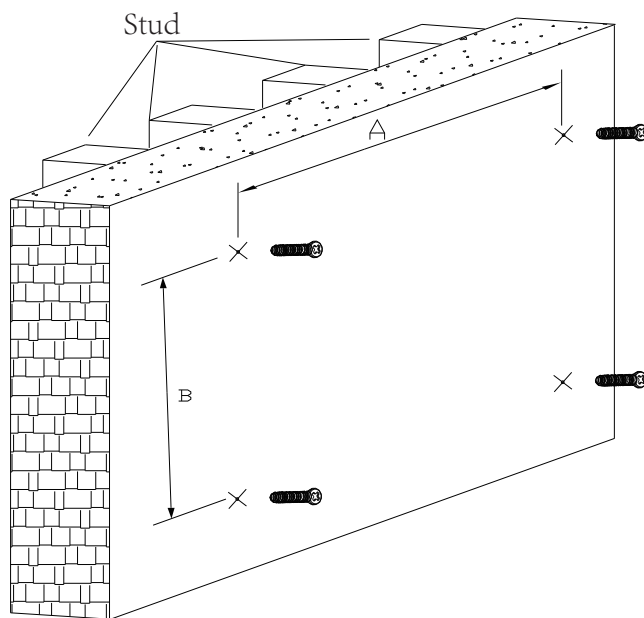
12. The support bar fits into grooves on the back of the assembled top and bottom frame pieces. When installed, it will provide additional support to the frame between the top and bottom sections to prevent the frame from sagging. The support bar fits very tightly. Installing it may require undoing one or two snap lugs to slide the bar into place. Once the bar is secured, the material can be reattached over the snap lugs. To install the support bar, align the bar into the track of the top and bottom frame pieces, positioning the bar somewhat diagonally. Slide one side of the support bar until it is lined up with the center of the frame, covering the joint. (The joint is pictured in step 4.) Then, without scratching the screen material, slide the other end of the support bar until it aligns straight over the other joint.



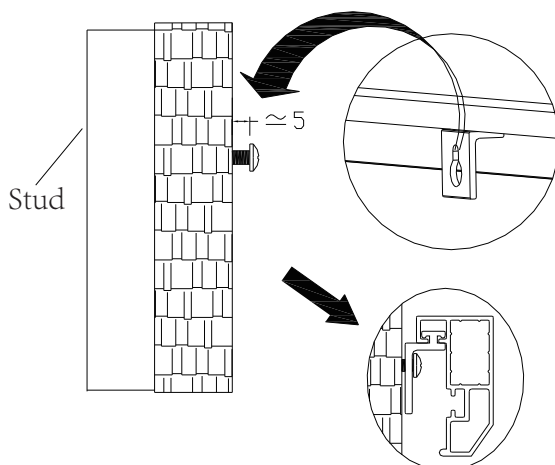
Installation

Note: The included mounting hardware is not appropriate for all wall types. Be sure to select the proper mounting hardware for your wall type. If you are unable to safely and securely install the screen to your wall type, consult a professional.

- A. Determine wall stud locations. This step applies to installation into drywall with wall studs. For other wall types, please consult a professional. Determine and mark the location of two studs that are at least 48" apart and no more than 80" apart. This is measurement A.
- B. Determine the mounting bracket locations. Put the screws 3/4" below the top of the desired upper frame location. Mark this measurement on both sides. Verify that these marks are level.
- C. Measure on the frame the distance between the top and bottom mounting brackets to get measurement B. Install screws according to this measurement. Verify that these marks align vertically, straight up and down.



D : Leave about 1/4" (5 mm) of screw thread exposed.



E : Mount the screen. Slide the mounting brackets until they line up precisely with the screws. Lift the frame onto the screws. The screws need to be inserted into the mounting brackets.

F : Adjust the screen. Slide the screen to the desired horizontal position. Enjoy!