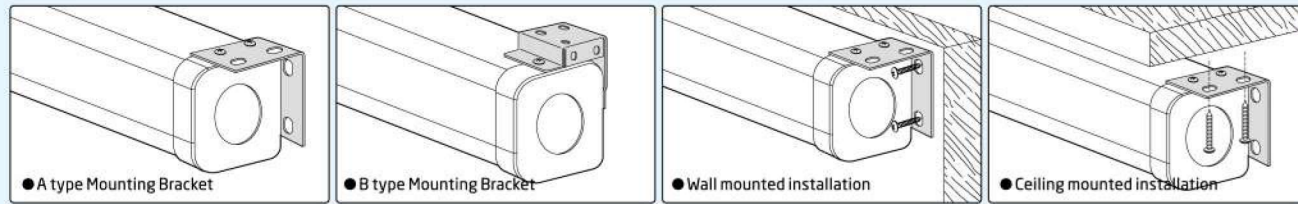
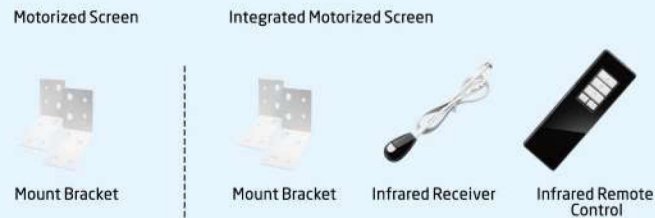


Multi-Functional Mounting Bracket (Ceiling mount/Wall mount)

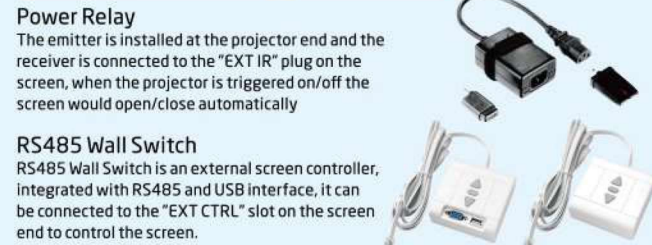
Optional installation functions in wall mounted, ceiling mounted or ceiling suspended. Installing with tightening screws to keep the screen locked and secure.



Standard Accessories



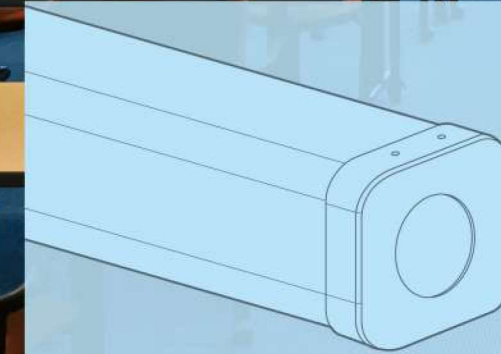
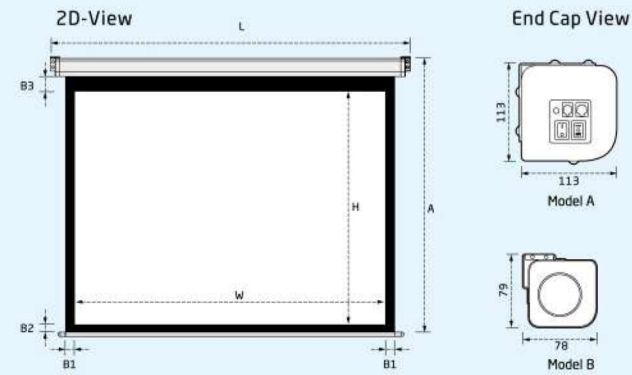
Optional Accessories for Intelligent Motorized Screen



Specification (Intelligent Motorized Screen CN-Mxxxx - In-line Switch Motorized Screen CN-Mxxxx)

Format	Specification (inch)	Viewing Area (W x H)	A	B3	Package (L x H x W)	End Cap	Net Weight (Kg)	Power (voltage:220v)
4:3	84	1710 x 1280	1495	80	1977 x 79 x 78	B	11.5	115W
	100	2030 x 1520	1735	80	2281 x 79 x 78	B	12.4	115W
	120	2338 x 1755	1970	80	2585 x 79 x 78	B	14.5	115W
16:9	150	3050 x 2286	2566	80	3342 x 113 x 113	A	24.0	115W
	92	2030 x 1145	1930	650	2281 x 79 x 78	B	12.6	115W
	100	2214 x 1245	1930	550	2465 x 79 x 78	B	13.2	115W
	106	2338 x 1320	1955	500	2585 x 79 x 78	B	14.5	115W
	110	2435 x 1370	2064	500	2669 x 50 x 98	A	20.6	115W
	120	2656 x 1494	2094	400	2948 x 113 x 113	A	20.6	115W

- Note:
1. Unremarked measurements are default to be MM
 2. Side borders B1 are both 50mm.
 3. The bottom black drop for Type A of Motorized screen is 80mm(B2); the bottom black drop for Type B of Motorized screen is 50mm(B2).
 4. For recess-ceiling installation design, the length/width/height of the groove need to be added by 100mm/60mm/60mm respectively.
 5. Above parameters could be changed due to product improvement.





CNV Series
Projection Screen

Fabric Features

- **Last-long Flatness**
With four layer structure including Fiberglass, Stretchness less than 1% which ensures the last-long flatness
- **Sophisticated Images**
Engraved with optical microgroove on the surface, with resolution more than 1.25 line pairs per mm, which ensures the sharpness of the projected images
- **Color Accuracy**
The reflection light are evenly distributed with less than 60K difference between incident angle and reflection angle
- **Wide Color Range**
With high contrast processment, while maintaining the color accuracy and color range is widely presented to provided a more vivid image

Fabric Types

WM Matte White	160° Viewing Angle	1.0 Gain	Fireproof	Environmental Friendly	Anti-Mold	Waterproof	Washable	Structure Screen Surface (embossed structure) PVC Fiber glass PVC
GM Matte Gray	160° Viewing Angle	0.8 Gain	Fireproof	Environmental Friendly	Anti-Mold	Waterproof	Washable	
GB Glass Beaded	70° Viewing Angle	2.5 Gain	Fireproof	Environmental Friendly	Anti-Mold	Waterproof	Washable	

CNV Motorized Screen

- **In-line Switch**
The In-line Switch, operating convenient and high steady features.
- **Optional Controls**



Optional External Remote Control System



- **External RF Remote Control sets**
 - *The control distance can be 25meters, no direction restraints.
 - *The motor is equipped with a "delayed action"and "1 minute disconnected" mechanism.
 - *Button control design with "up" "stop" "down" function.
 - *Micro-adjustment function design.
 - *Ultra low power consumption, energy saving.
 - *With learning function and universal design, the remote controller can be easily replaced even lost.
- **External IR Remote Control sets**
 - *The control distance is 8 meters, control range is +-60 degrees.
 - *The motor is equipped with a "delayed action"and "1 minute-disconnected" mechanism.
 - *Preferred encoding combination, with anti-jamming design.
 - *Button control design with "up" "stop" "down" function.
 - *Micro-adjustment function design.
 - *Ultra low power consumption, energy saving.
 - *With Manual control design, easy to use.



CNV Integrated Motorized Screen

- **IR Remote Control**
The fabric adjustment and micro control can be achieved by remote controller set, the remote distance is 8m.



Multi-Control Options

